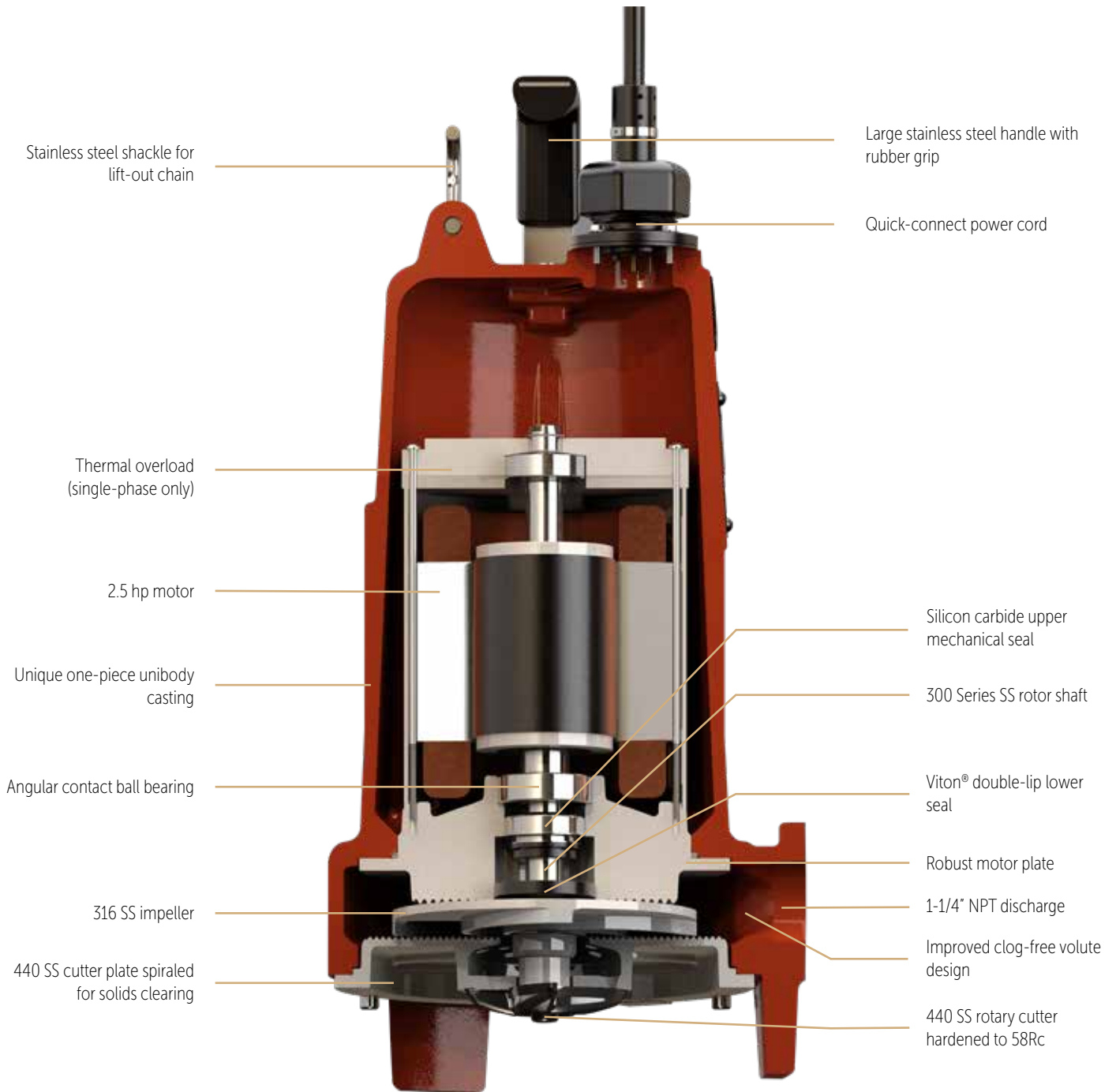
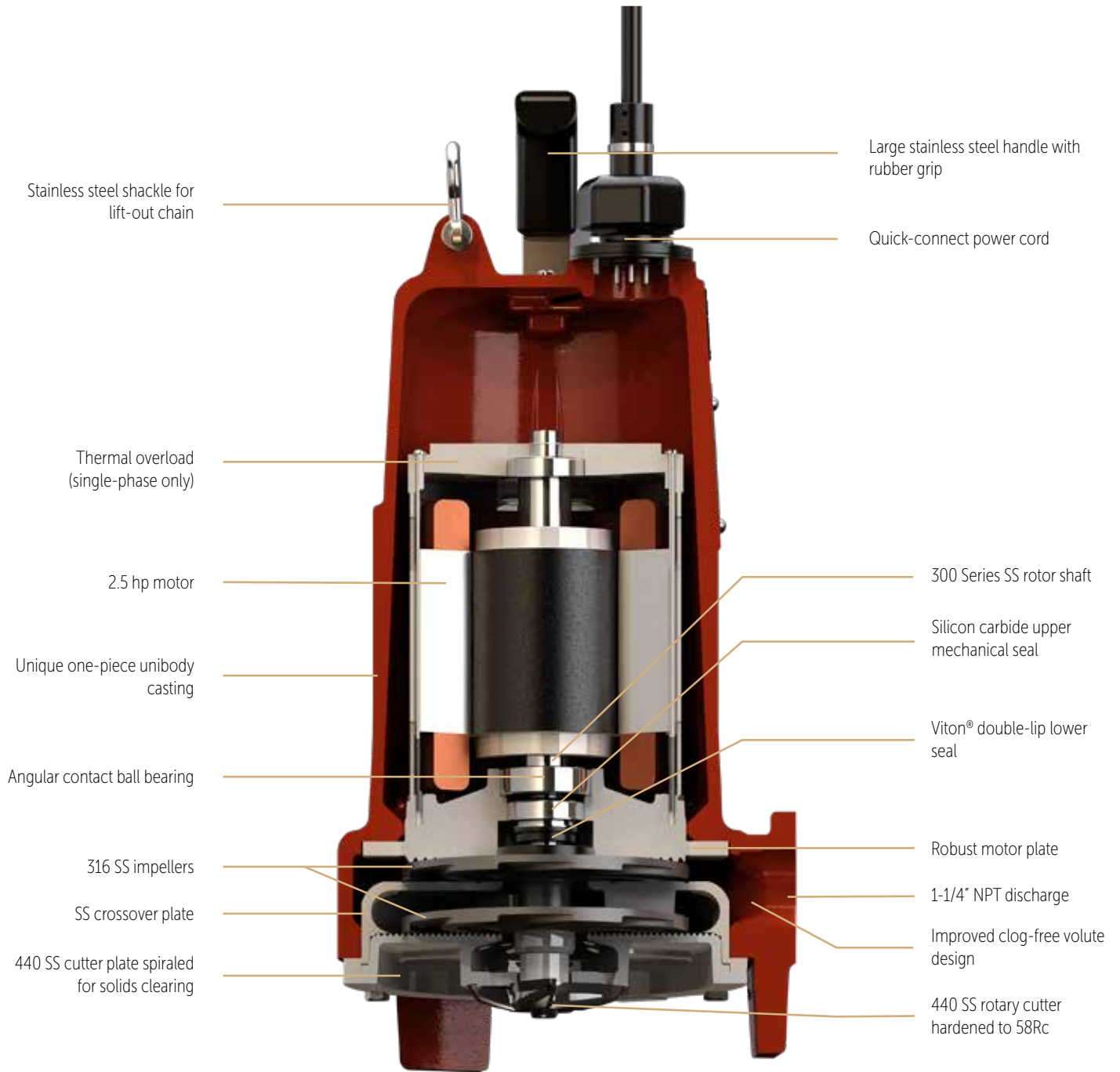


LGV High Volume



Patent: See
www.LibertyPumps.com/LEP/patents

LGH High Head



Patent: See
www.LibertyPumps.com/LEP/patents

Model Number	LGH028	LGH022	LGH023	LGH024	LGH025	LGV028	LGV022	LGV023	LGV024	LGV025
HP	2.5	2.5	2.5	2.5	2.5	2.5	2.5	2.5	2.5	2.5
Volts	200	230	200/230	460	575	200	230	200/230	460	575
Phase	1*	1*	3	3	3	1*	1*	3	3	3
Hz	60	60	60	60	60	60	60	60	60	60
RPM	3450	3450	3450	3450	3450	3450	3450	3450	3450	3450
FLA	20	20	13.7	6.9	5.5	18.5	17	12.5	6.5	5
SFA	20	20	13.7	6.9	5.5	18.5	17	12.5	6.5	5
LRA	71.2	70	59.2	27.3	24	66.1	70	59.2	27.3	24
Max kW Input	3.9	4	4.3	4.3	4.3	3.3	3.7	3.5	3.4	3.4
Service Factor	1	1	1	1	1	1	1	1	1	1
Power Factor	.99	.99	.84	.82	.84	.99	.99	.89	.77	.76
KVA Code	G	H	L	L	P	G	H	L	L	P
Std. Impeller Diameter (in)	5.86	5.86	5.86	5.86	5.86	5.95	5.95	5.95	5.95	5.95
Shut-Off Head (ft)	185	185	185	185	185	110	110	110	110	110
Power Cord Type & Diameter	12/4 SOOW	12/4 SOOW	12/4 SOOW	12/4 SOOW	12/4 SOOW	12/4 SOOW	12/4 SOOW	12/4 SOOW	12/4 SOOW	12/4 SOOW

* Single-phase motors require capacitors. Liberty Pumps control panel or capacitor kits are recommended for proper operation and warranty. Refer to "Control Panel" section.

Motor Insulation Class	1-phase - F 155°C 3-phase - B 130°C
Impeller Type	Open
Impeller Material	316 Stainless Steel
Power Cord Length (Options)	25, 35, 50 ft
Quick-connect Cords	Standard
Upper Seal Material	Silicon Carbide/Silicon Carbide HNBR Elastomers
Lower Seal Material	Double Lip Seal Viton Elastomers
Max Water Temp for Continuous Duty	40°C
Min Fluid Level for Continuous Operation	Motor Housing Fully Submerged
Fluid pH Range	4-10
Shaft Material	303 Stainless Steel
Fastener Material	Stainless Steel
O-Ring Elastomers	Buna-N
Upper Bearing	Radial Ball

Lower Bearing	Angular Contact Ball
Oil Type	ISO VG10 Turbine Oil
Max Submersion Depth	10 ft less than selected cord length (not to exceed 40 ft)
Discharge	1.25 in FNPT
Protective External Finish	Epoxy Powder Coat
Seal Fail Detection	No
Thermal Protection	1-phase - Direct Acting, 135°C 3-phase - none
Motor Enclosure Material	Class 25 Cast Iron
Volute Material	Class 25 Cast Iron
Cuts Per Minute	372,600
Cutter Material	440 Stainless Steel
Pump Weight	87 lbs (approx)
Certifications	CSA Certified to CSA and UL® Standards CAN/CSA C22.2 No. 108-14 ANSI/UL 778 6th Ed

Specifications are subject to change without notice.